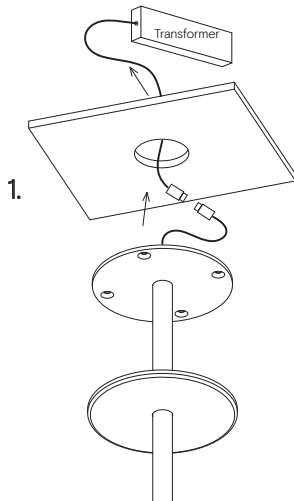


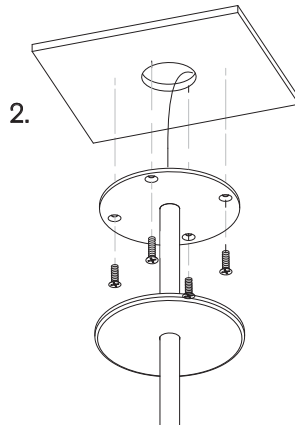


# 110mm MAGNET CEILING PLATE

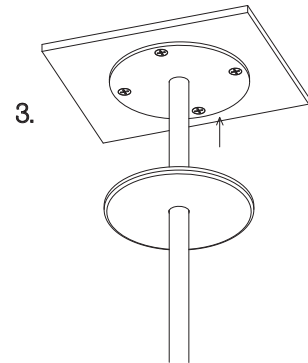
## Installation Instructions



1. Prep the ceiling with an approx. 50mm hole to fit the transformer. Place the transformer in the ceiling and feed the cable through the hole into the room. Connect the single electrified cable to the transformer.



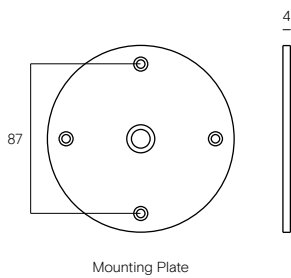
2. Screw the steel mounting plate to the ceiling using appropriate fasteners for the ceiling substrate.



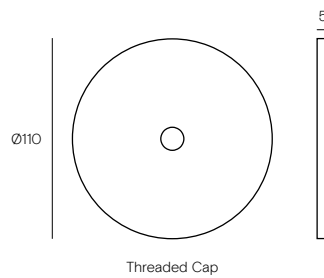
3. Secure the magnetic cover plate onto the mounting plate.

\*The transformer needs to be accessible for maintenance purposes.

## Dimensions



Mounting Plate



Threaded Cap