

Ceiling Plate Sizes & Finishes

Sizes



Small Plate
(ø76 x 8mm)



Large Plate
(ø106 x 8mm)



Canopy
(ø81 x 25mm)

Finishes

Small and Large Plates

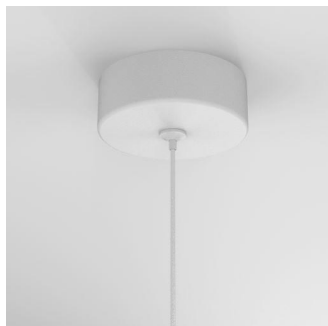


White



Black

Canopy



White



Black



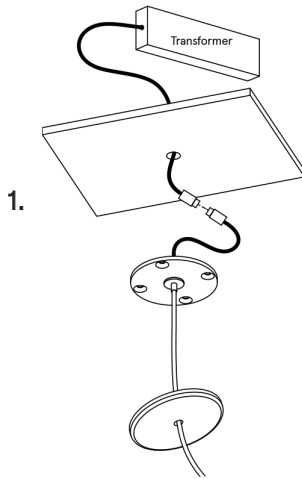
Brushed Copper



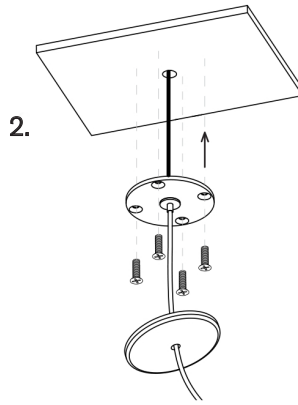
Brushed Brass

Small Plate (Ø76x8mm)

Installation Instructions

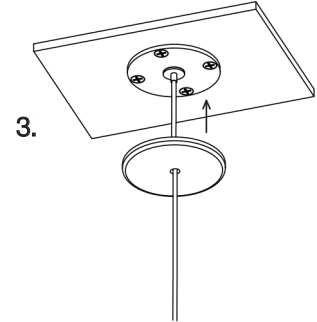


1. Prep the ceiling with an approx. 15mm hole. Place the transformer in the ceiling and feed the cable through the hole into the room. Connect the single electrified cable to the transformer.



2. Screw the mounting plate to the ceiling using appropriate fasteners for the ceiling substrate.

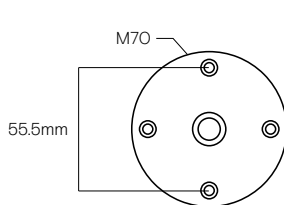
*The transformer needs to be accessible for maintenance purposes.



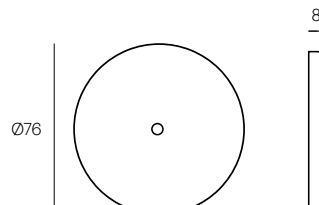
3. Screw the threaded cover plate onto the mounting plate.

*Push up the metal cable gripper on the mounting plate to adjust the cable length.

Dimensions

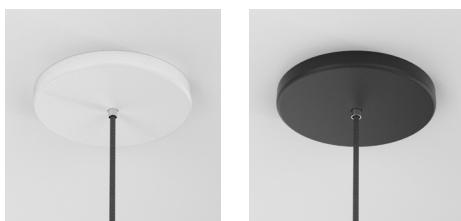


Mounting Plate



Threaded Cap

Finishes



White

Black

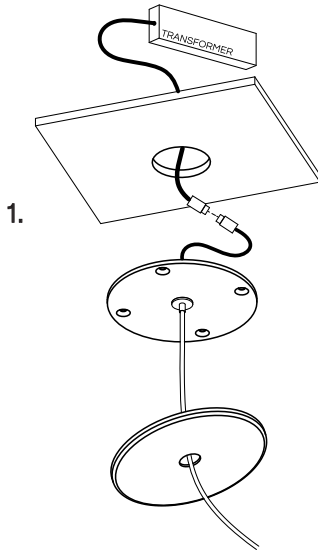
Note

This ceiling plate will suit installations with a small 10-30mm hole in the ceiling. The transformer will need to be placed in the ceiling through another access point.

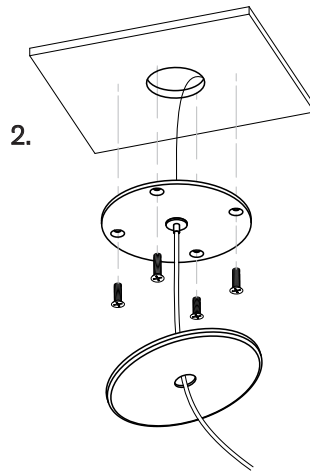
This ceiling plate is suitable for all ceiling substrate installations including plasterboard.

Large Ceiling Plate (ø106x8mm)

Installation Instructions

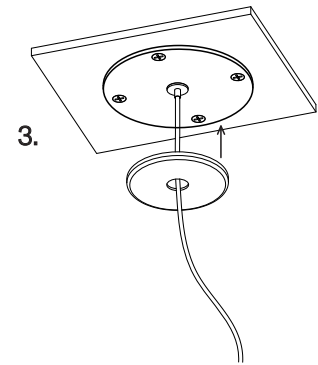


1. Prep the ceiling with a hole to suit the transformer size. Place the transformer in the ceiling and connect the single electrified cable to the transformer.



2. Screw the mounting plate to the ceiling using appropriate fasteners for the ceiling substrate.

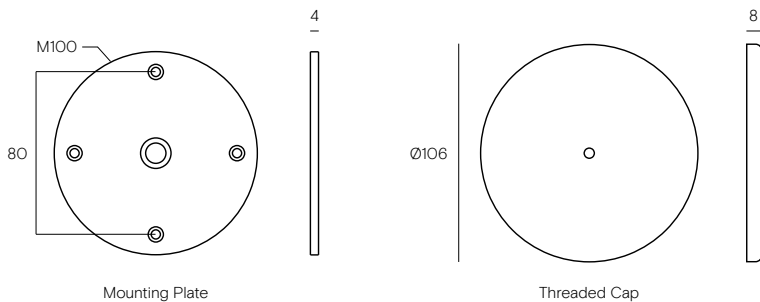
*The transformer needs to be accessible for maintenance purposes.



3. Screw the threaded cover plate onto the mounting plate.

*Push up the metal cable gripper on the mounting plate to adjust the cable length.

Dimensions



Mounting Plate

Threaded Cap

Finishes



White

Black

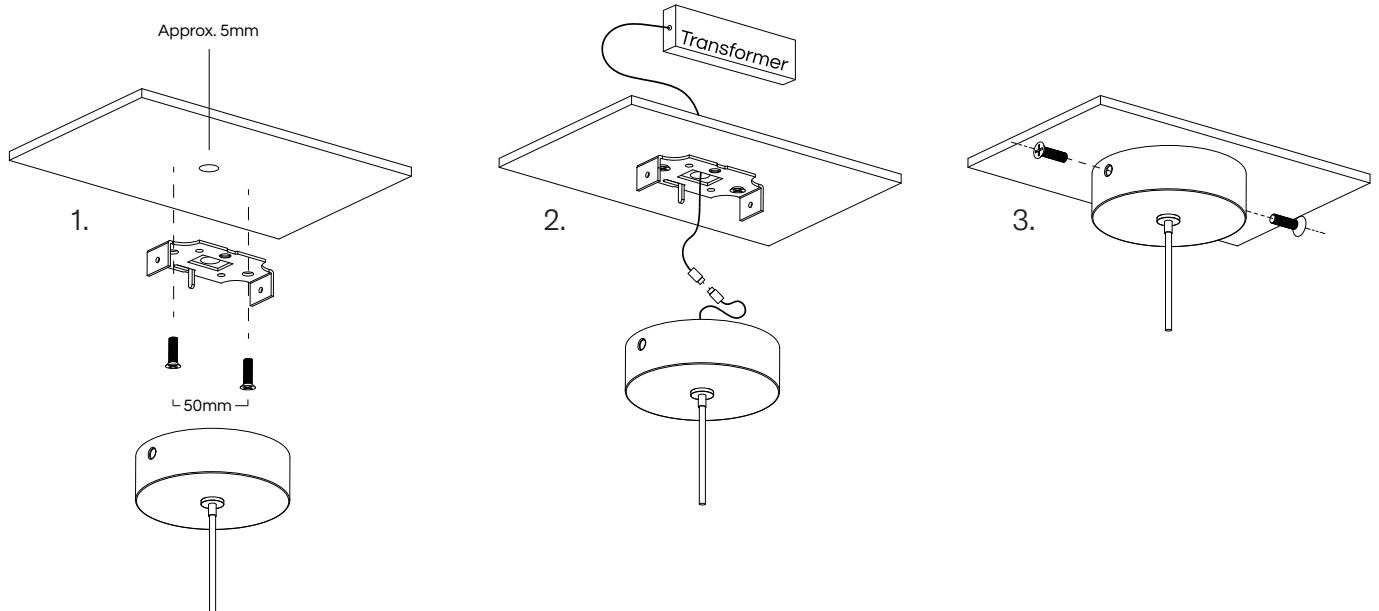
Note

This ceiling plate will suit installations with a large hole in the ceiling (up to ø65mm) The transformer can be placed through the large hole into the ceiling cavity.

This ceiling plate is suitable for all ceiling substrate installations including plasterboard.

Canopy (ø81x25mm)

Installation Instructions



Fix the ceiling bracket to the ceiling using an appropriate fastener for the substrate. Prep the ceiling with an (approx. 5mm hole).

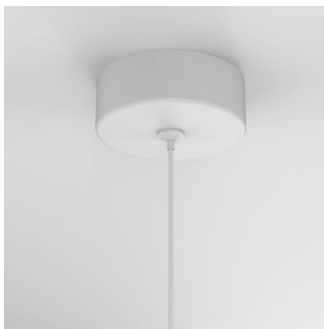
Connect the single electrified cable to the driver. Remote driver needs to be accessible for maintenance purposes.

Fasten Canopy to the ceiling bracket using both canopy screws, ensure screws are tight.

*The transformer needs to be accessible for maintenance purposes.

*Push up the metal cable gripper on the ceiling canopy to adjust the cable length.

Finishes



White



Black



Brushed Copper



Brushed Brass

Note

This ceiling plate will suit installations with a small 10-30mm hole in the ceiling. The transformer will need to be placed in the ceiling through another access point.

This ceiling plate is suitable for all ceiling substrate installations including plasterboard.