

# Huguenot Lake 1lt Wall Light

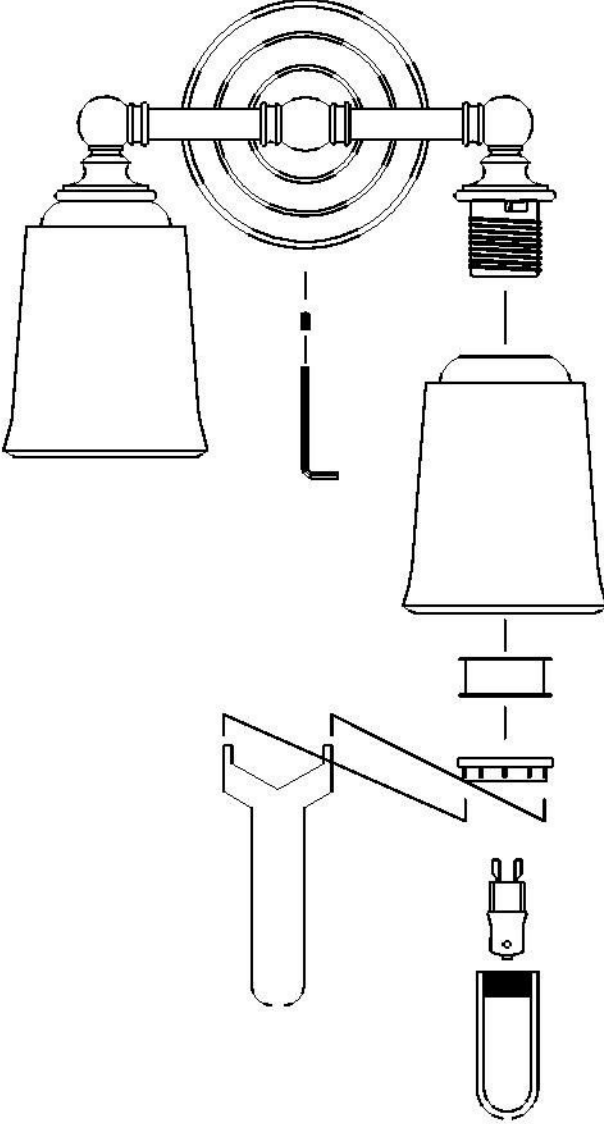
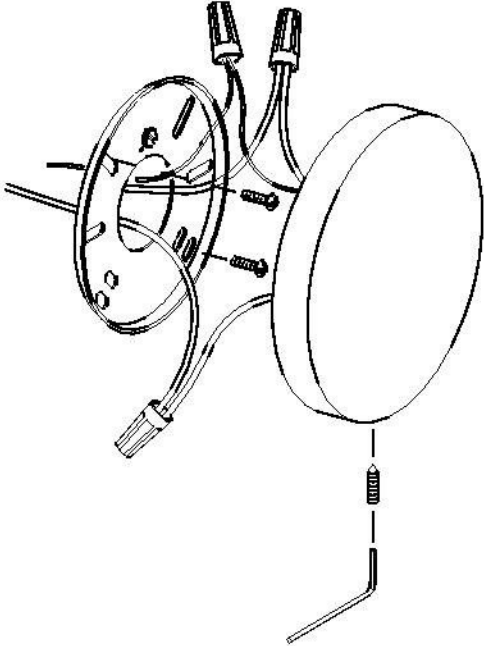


1lt Wall Light

## Product Attributes

- Weight: 1.9 kg
- Fitting Height: 248mm
- Width/Diameter: 133mm
- Projection: 152mm
- Finish: Polished Chrome
- Build Materials: Metal, Glass
- Max Wattage: 1 x 3.5W LED G9
- Voltage: 220-240v 50hz
- Number of lamps: One
- Bulb Included: Yes
- IP Rating: IP44
- Class I/II: Class I
- Product Type: Wall Light
- Box Dimensions: 32.5x24x21cm

IP44 220 - 240v Class I ⚡



IP44 220 - 240v Class I ⚡

