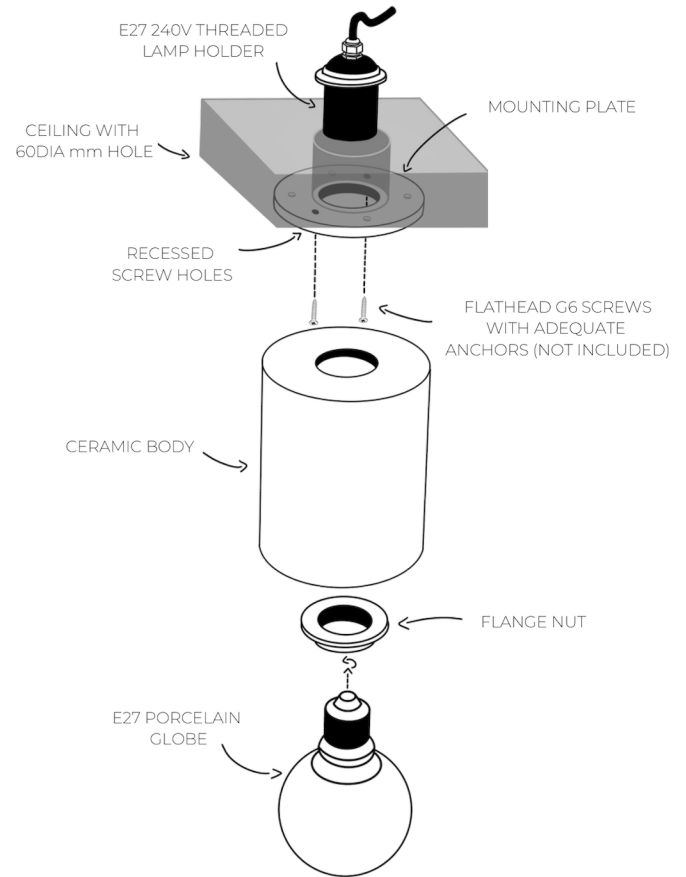
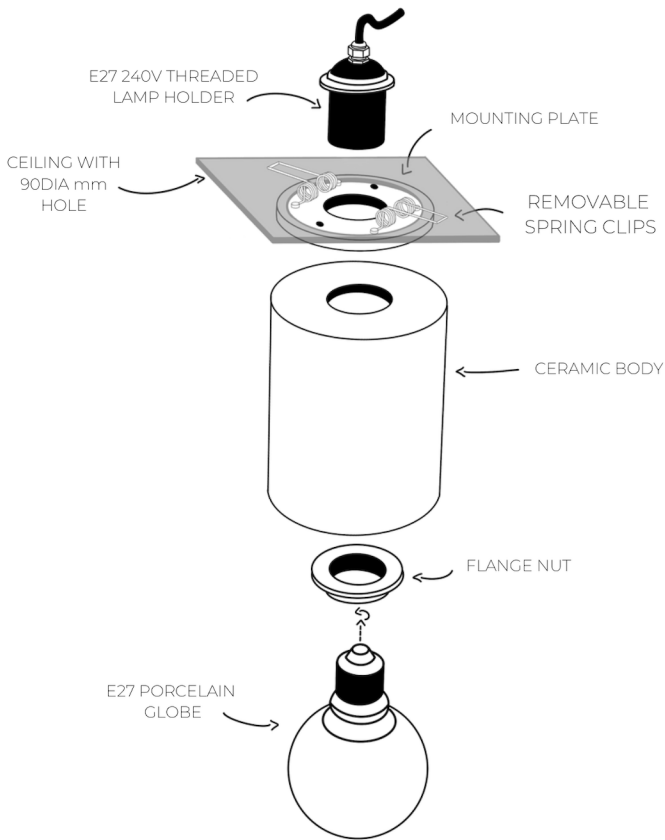


CEILING LIGHT

INSTALLATION GUIDE

SPRING CLIP INSTALL (for plasterboard ceiling or similar)

SCREW INSTALL (Solid ceiling or into battens/ noggins)



1. Make sure screws holding the spring clips are secure.
2. Cut a 90DIA mm hole into ceiling substrate using a holesaw (or if replacing existing recessed downlight, use existing 90DIA mm hole).
3. Before handling the fragile ceramic body -using a junction box that is fully enclosed- connect electrical leads. Make certain that all wires are firmly fastened and completely covered with no exposed bare wires.
4. Position the mounting plate onto the lamp holder (it will sit loose, so hold in place during the next step).
5. Hold back spring clips and lift into ceiling.

1. Unscrew and remove the spring clips from the mounting plate.
2. Cut a 60DIA mm core hole into ceiling substrate.
3. Before handling the fragile ceramic body -using a junction box that is fully enclosed- connect electrical leads. Make certain that all wires are firmly fastened and completely covered with no exposed bare wires.
4. Position the mounting plate onto the lamp holder (it will sit loose, so hold in place during the next step).
5. Use anchors and flat head G6 screws (not provided) to secure mounting plate to ceiling. Ensure screw heads are sitting flush in holes.

6. Make sure your hands are clean or that you are wearing gloves before handling. Gently take out fragile ceramic body and flange nut from their packaging. Carefully position ceramic body onto the installed lamp holder. Holding it steady, thread the flange nut onto the thread ensuring flat side is up. Visually inspect that the socket is perfectly centred within the ceramic body, tighten flange nut as securely as possible.
7. Direct the provided fragile porcelain E27 globe into the socket and twist to secure anti-clockwise. Carefully tighten as securely as possible.
8. Enjoy your We Ponder ceiling light.

REQUIREMENTS

1. The light fitting must be installed by a licensed electrician.
2. The wiring and installation of this light fitting must follow local and national wiring ruled - eg. AS/NZS 3000.
3. The ceiling light is suitable for installations requiring up to IP (TBA).